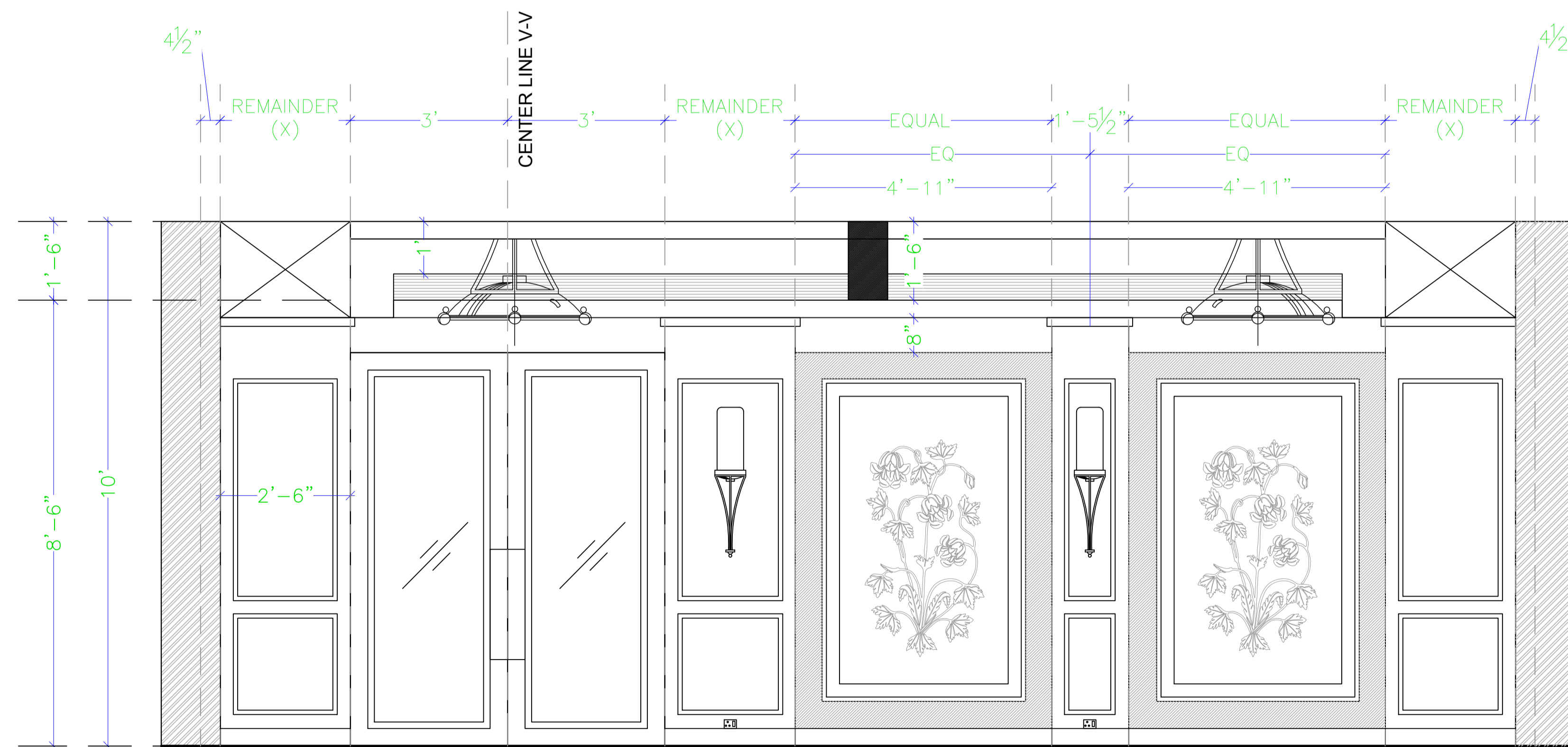
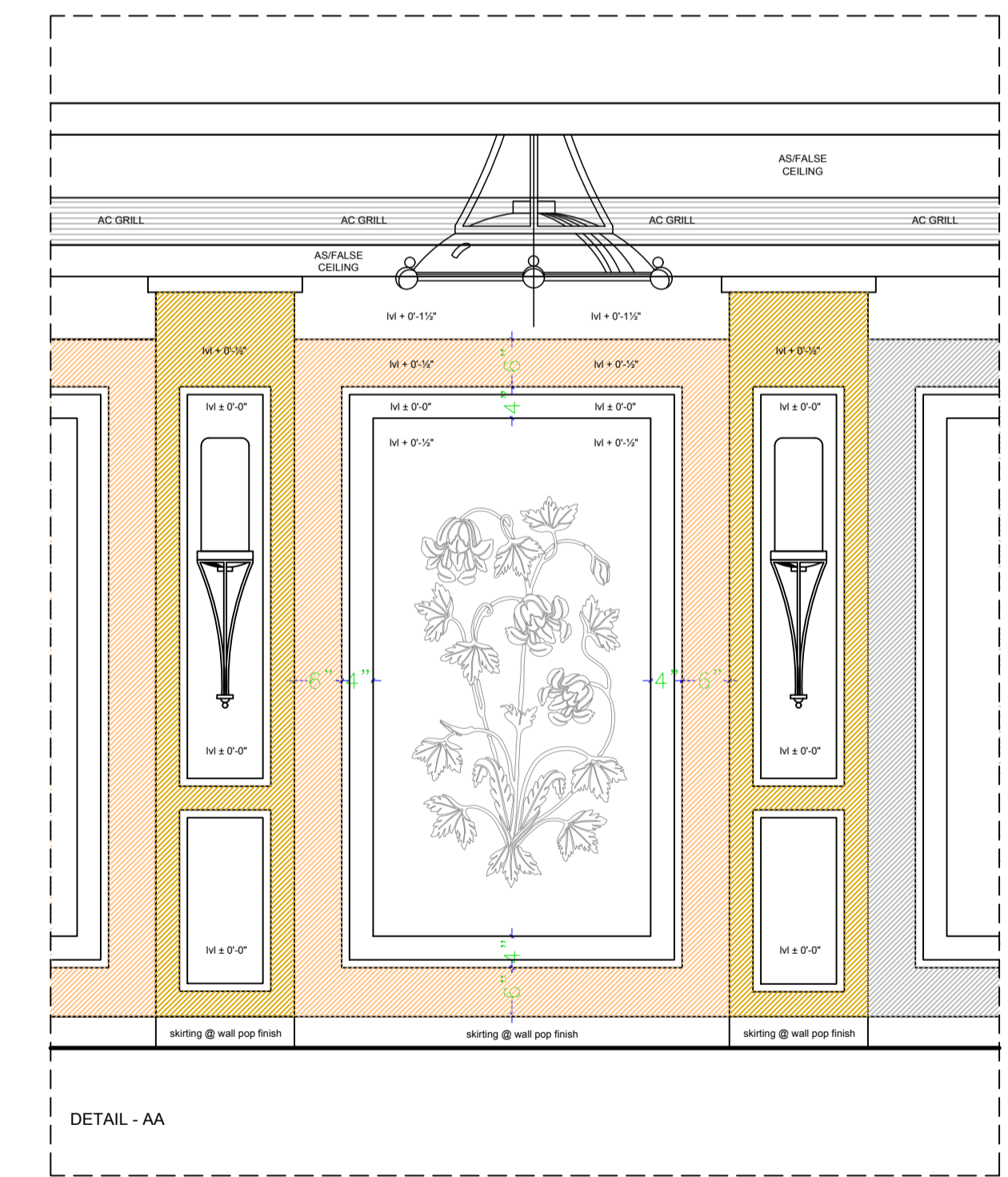
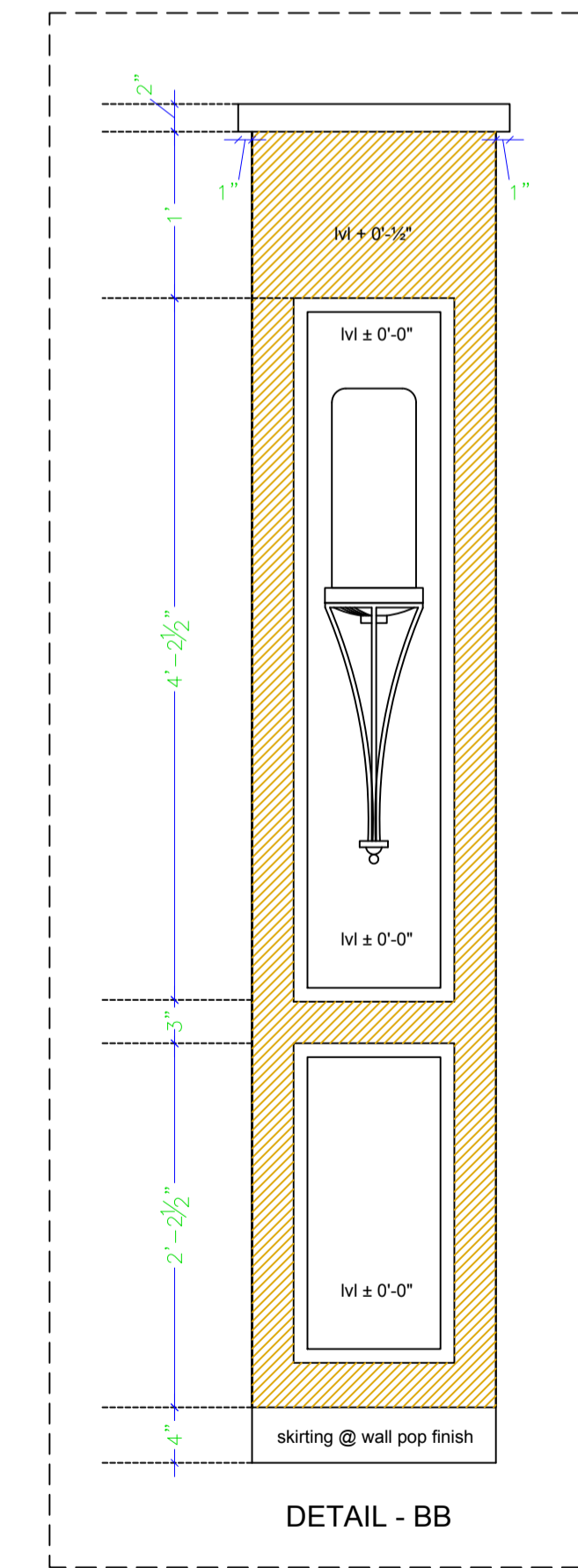


ELEVATION-A



ELEVATION-B



ARCHITECT:  
**NEERAV GUPTA**  
 L-1, KRISHNA MARG, C- SCHEME,  
 JAIPUR (302001), RAJASTHAN.  
 PH: 0141-2380823  
 E-Mail: architect\_neeravgupta@yahoo.com

PROJECT:  
**CLARKS**

DRAWING TITLE:  
 REVISED MULTIPURPOSE HALL  
 WALL ELEVATION- A,B

DRAWN BY:	SCALE:	DATE:
RAHUL	N.T.S.	31-01-2019
CHECKED BY:	SHEET NO.:	
NEERAV GUPTA	CI/AV/MP/AR/03	

NOTES:  
 THE COPYRIGHT AND PROPERTY OF THIS DESIGN AND DRAWING BELONGS TO NEERAV GUPTA. IT MUST NOT BE COPIED OR REPRODUCED IN ANY MANNER WITHOUT THEIR WRITTEN CONSENT. A LEGAL ACTION AS PER LAW MAY BE INITIATED AGAINST THE OFFENDER.